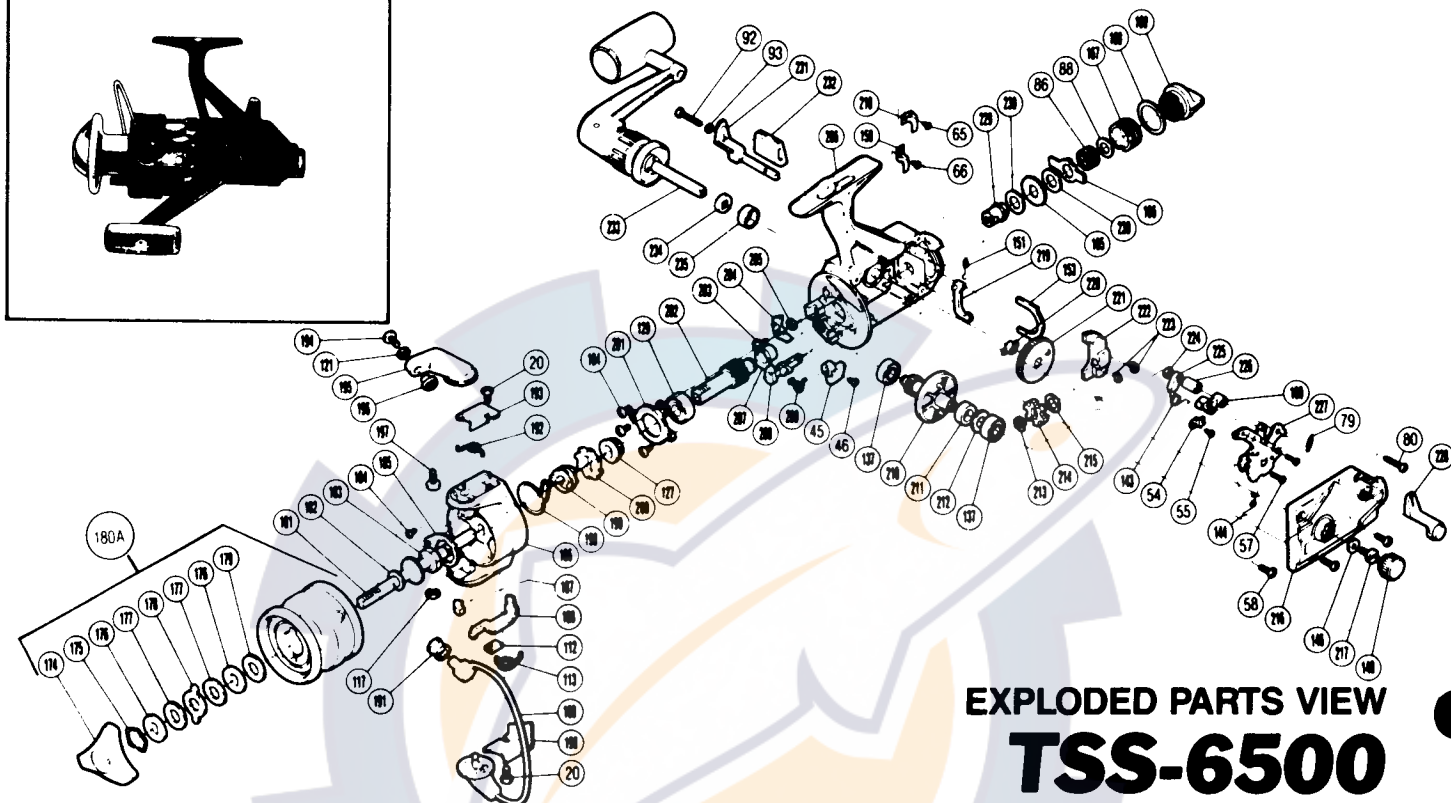
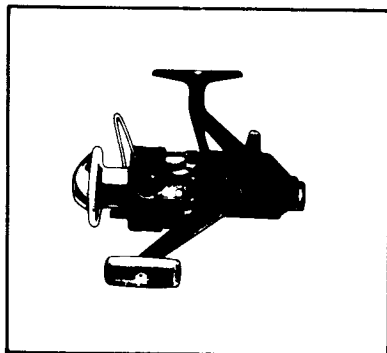


1987 REPAIR MANUAL

Shimano American Corporation, One Shimano Dr.
 Irvine, CA 92718

TO ORDER:

This reel belongs to the "Bait Runner" series. Please order parts using the abbreviation "Bait & Run" and the part number.



EXPLODED PARTS VIEW
TSS-6500

PARTS LIST

PART # DESCRIPTION

- 20. Bail Trip Cover Screw
- 45. Anti-Reverse Lever
- 46. Anti-Reverse Lever Screw
- 54. Lever Shaft Retainer
- 55. Shaft Retainer Screw
- 57. Clutch Plate Screw
- 58. Side Cover Screw A
- 65. Dial Click Screw
- 66. Pawl Guide Screw
- 79. BaitRunner Lever Spring
- 80. Side Cover Screw B
- 86. Free Spool Tension Spring
- 88. Tension Spring Washer "B"
- 92. BaitRunner Lever Screw
- 93. Lock Washer
- 112. Trip Lever Guide
- 113. Lever Spring
- 117. "E" Lock
- 121. Lock Washer
- 127. Pinion Spacer
- 129. Ball Bearing
- 137. Ball Bearing
- 143. Clutch Spring
- 144. Clutch Pawl Spring
- 148. Handle Lock Washer
- 148. Handle Screw Cap
- 150. BaitRunner Pawl Guide
- 151. BaitRunner Pawl Spring
- 153. Dial Retainer
- 160. Clutch Arm
- 165. Click Gear
- 166. Eared Washer "Bfs"
- 167. Free Spool Tension Screw

PART # DESCRIPTION

- 168. Dial Spacer
- 169. BaitRunner Tension Dial
- 174. Drag Knob
- 175. Drag Washer Retainer
- 176. Key Washer
- 177. Drag Washer
- 178. Eared Washer
- 179. Drag Washer 2
- 180A. Spool Assembly (universal)
- 181. Main Shaft
- 182. Spool Washer
- 183. Rotor Nut
- 184. Multi Purpose Screw
- 185. Rotor Nut Lock Plate
- 186. Rotor
- 187. Bail Trip Slide Cam
- 188. Bail Trip Lever
- 189. Bail Assembly
- 190. Bail Trip Cover
- 191. Line Roller
- 192. Bail Spring
- 193. Bail Spring Cover
- 194. Line Roller Screw
- 195. Bail Arm
- 196. Line Roller Washer
- 197. Bail Arm Screw
- 198. Anti-Reverse Pawl Spring
- 199. Anti-Reverse Spring Holder
- 200. Anti-Reverse Ratchet
- 201. Bearing Retainer
- 202. Pinion Gear
- 203. Anti-Reverse Pawl Screw

PART # DESCRIPTION

- 204. Anti-Reverse Pawl
- 205. Anti-Reverse Pawl Spacer
- 206. Body
- 207. Pinion Gear Bushing
- 208. Anti-Reverse Cam
- 209. Anti-Reverse Cam Spring
- 210. Drive Gear
- 211. Drive Gear Spacer
- 212. Drive Gear Washer
- 213. "C" Lock
- 214. BaitRunner Ratchet
- 215. Ratchet Spacer
- 216. Side Cover
- 217. Handle Lock Screw
- 218. Dial Click
- 219. BaitRunner Pawl
- 220. Oscillating Gear Bushing
- 221. Oscillating Gear
- 222. Oscillating Slider
- 223. "C" Lock
- 224. Clutch Cam Spacer B
- 225. Clutch Cam
- 226. Clutch Cam Spacer A
- 227. Clutch Plate Assembly
- 228. BaitRunner Lever Arm (L)
- 229. Free Spool Tension Shaft
- 230. Free Spool Tension Washer
- 231. BaitRunner Lever Arm (R)
- 232. BaitRunner Lever Bridge
- 233. Handle Assembly
- 234. Handle Lock Spacer
- 235. Handle Lock Ring